

## FS-06

### Features

- Rugged Brass housing
- Minimum pressure drop
- Operates from a small head of water
- Vertical mount +/-15
- Suitable for water and air flow switching



### Comments

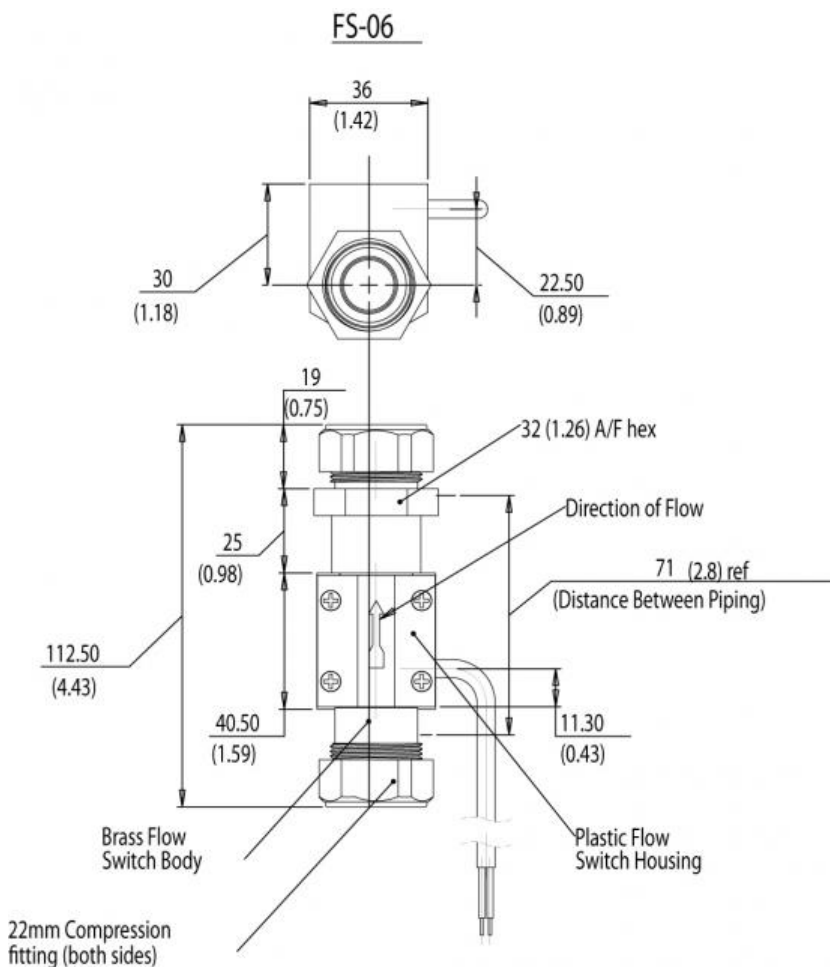
- 22mm Compression fitting
- Suitable for hot and cold potable water
- Reed Switch Reliability (UL File E153493)
- Easy installation
- Easy installation

### Applications

- Mains water control
- Power shower
- Central heating systems
- Circulation pump protection
- Cooling systems

<b>Material</b>	
<b>Shuttle Material</b>	Noryl
<b>Contact Material</b>	Ruthenium
<b>Operating Temperature °C</b>	-30 to 100
<b>Medium</b>	Water
<b>Housing Colour</b>	Brass
<b>Mechanical Specifications</b>	
<b>Shock</b>	50g for 11mS duration
<b>Vibration</b>	35g up to 500Hz
<b>Maximum Pressure</b>	10 Bar @ 20
<b>IP</b>	IP65
<b>Switching</b>	

Switch Action (Reed Switch)	SPST
Max Switching Voltage VDC	200
Max Switching Voltage VAC	250
Max Switching Current Amps	1
Max Switching Load Watt	40
Operate Mode	N/O, close with Flow
Contact Form	A
<b>Cable</b>	
Cable Length	1 x 1.0M double insulated
Connection Type	Stripped Cables
Cable Type	0.5MM2 BS6500 PVC
Cable Colour	Grey outer Blue/Brown inner
<b>Mounting</b>	
Fitting	In Line
Mounting	Vertical, flow upwards
<b>Technical Drawing</b>	



北京赛斯维测控技术有限公司  
 北京市朝阳区望京西路48号  
 金隅国际C座1002  
 电话：+86 010 8477 5646  
 传真：+86 010 5894 9029  
 邮箱：[sales@sensorway.cn](mailto:sales@sensorway.cn)  
<http://www.sensorway.cn>



Gentech International Limited