

CS1210 Reaction Torque Sensor



- Collar mechanical fittings
- Range from ± 160 to $\pm 10,000$ Nm (± 128 to $\pm 8,000$ lbf.ft)
- Stainless Steel or Aluminum
- Gland or Connector Output
- Built In Amplifier per Request

DESCRIPTION

The CS1210 Series has been developed to measure torque in static applications. It offers high operating ranges up to 8,000 lbf.ft. The mechanical design and gauge placement minimizes transverse effects. Fitted with metallic strain gauges in a Wheatstone bridge circuit, the CS1210 is providing excellent temperature stability. For high-level output a model with integrated amplifier is available.

With many years of experience as a designer and manufacturer of sensors, Measurement Specialties often works with customers to design or customize sensors for specific uses and testing environments.

To meet your needs we also offer complete turnkey systems. The matched components (sensor, power, amplifier and digital display) are formatted, calibrated and ready for immediate use.

FEATURES

- For Static Applications
- High Stiffness
- Collar Mechanical Fittings
- High Level Output Model with Integrated Amplifier

APPLICATIONS

- Process control equipment
- Torque fatigue test benches
- Robotics and effectors
- Bearing torque measurement
- Laboratory and Research

STANDARD RANGES

F.S. in Nm	160	300	600	1,2k	2,4k	3,5k	4,8k	7k	10k
F.S. in lbf.ft	128	240	480	960	1,92k	2,8k	3,84k	5,6k	8k
Stiffness in Nm/rad	3.5×10^4	6×10^4	2×10^5	3.5×10^5	1×10^6	1.4×10^6	2.3×10^6	3.4×10^6	5.7×10^6
Stiffness in lbf.ft/rad	2.4×10^3	1.4×10^4	1.4×10^4	2.4×10^4	6.9×10^4	1×10^5	1.6×10^5	2.3×10^5	3.9×10^5

CS1210 Reaction Torque Sensor

PERFORMANCE SPECIFICATIONS

Ambient Temperature: 20±1° C (unless otherwise specified)

Parameters	
Operating Temperature Range (OTR)	-20 to 80° C (-4 to 176° F)
Compensated Temperature Range (CTR)	0 to 60° C (32 to 140° F)
Zero Shift in CTR	<0.5% F.S./ 50° C [100° F]
Sensitivity Shift in CTR	<1% of reading / 50° C [100° F]
Range (F.S.)	±160 Nm to ±10 kNm [±128 lbf.ft to ±8 klbf.ft]
Over-Range	
Without Damage	1.5 x F.S.
Accuracy	
Combined Non-Linearity & Hysteresis	±0.25%F.S.

Electrical Characteristics

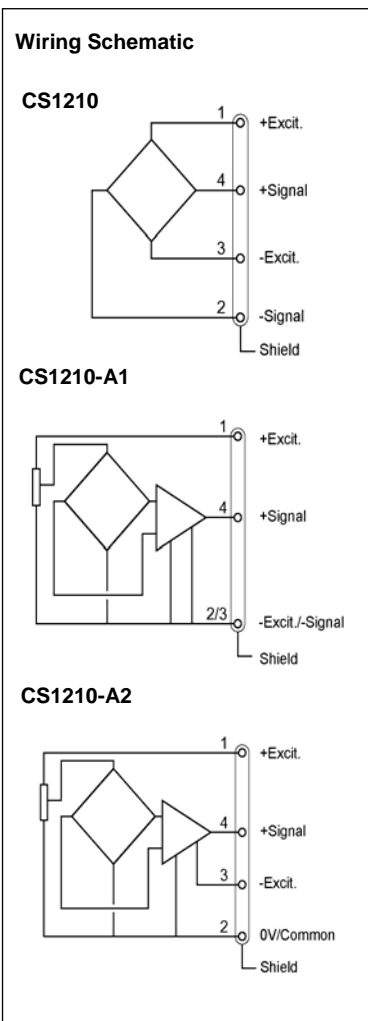
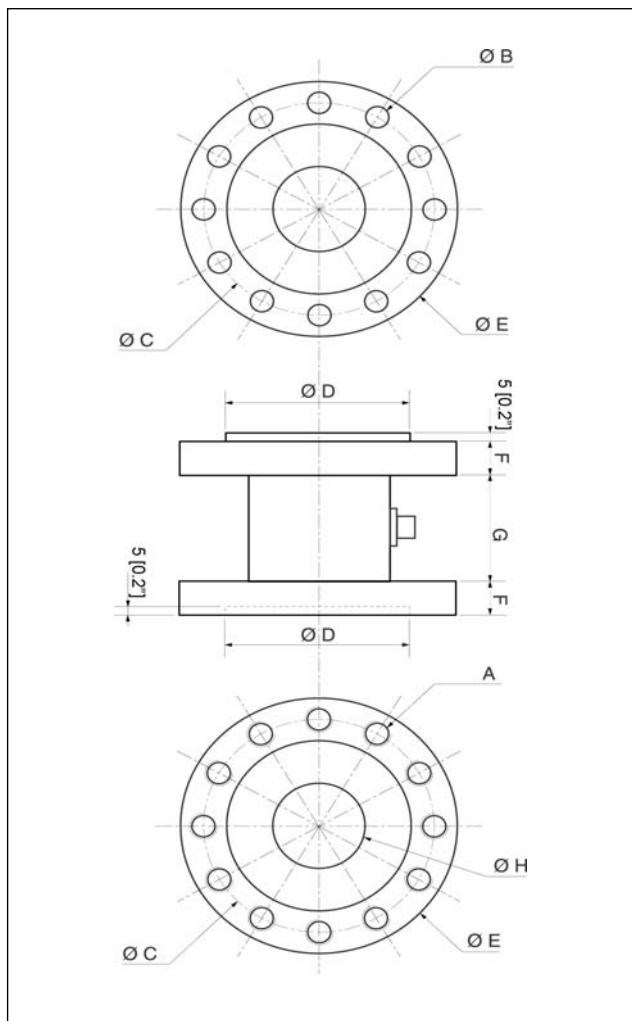
Model	CS1210	CS1210-A1	CS1210-A2
Supply Outage	10Vdc	10 – 30Vdc	±15Vdc (±12 to ±18Vdc)
F.S. Output	±2mV/V	±2V ±5% F.S.	±5V ±5% F.S.
Zero Offset	<±5% F.S.	2.5V ±5% F.S.	0V ±5% F.S.
Input Impedance/Consumption	350 to 700Ω	<50mA	<50mA
Output Impedance	350 to 700Ω	<10Ω	<10Ω
Insulation under 50Vdc	≥100MΩ	≥100MΩ	≥100MΩ

Notes

1. Electrical Termination: Connector output including mate
2. Material: Body in stainless steel or aluminum alloy

CS1210 Reaction Torque Sensor

DIMENSIONS & WIRING SCHEMATIC (IN METRIC AND IMPERIAL)



Dimensions in mm [inch]

F.S. in Nm [lbf.ft]	160 - 300 [128 - 240]	600 [480]	1,2k [960]	2,4k [1,92k]	3,5k [2,8k]	4,8k [3,84k]	7k [5,6k]	10k [8k]
A	12 x M10	12 x M10	12 x M10	12 x M12	12 x M16	12 x M18	12 x M20	12 x M24
B	12 x Ø10.3	12 x Ø10.3	12 x Ø10.3	12 x Ø12.3	12 x Ø16.3	12 x Ø18.3	12 x Ø20.5	12 x Ø24.5
C	100 [3.94]	100 [3.94]	100 [3.94]	125 [4.92]	160 [6.30]	180 [7.09]	215 [8.46]	235 [9.25]
D	80 [3.15]	80 [3.15]	80 [3.15]	90 [3.54]	120 [4.72]	140 [5.51]	160 [6.30]	180 [7.09]
E	118 [4.65]	118 [4.65]	118 [4.65]	148 [5.83]	186 [7.32]	218 [8.58]	248 [9.76]	272 [10.71]
F	15 [0.59]	15 [0.59]	15 [0.59]	15 [0.59]	15 [0.59]	15 [0.59]	20 [0.79]	20 [0.79]
G	45 [1.77]	45 [1.77]	45 [1.77]	48 [1.89]	52 [2.05]	55 [2.17]	60 [2.36]	60 [2.36]
H	30 [1.18]	45 [1.77]	45 [1.77]	70 [2.76]	85 [3.35]	100 [3.94]	110 [4.33]	130 [4.33]
Material	Aluminum Alloy			Stainless Steel				

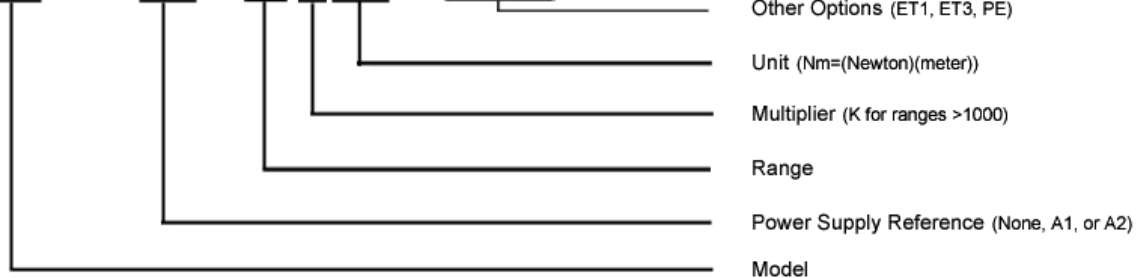
CS1210 Reaction Torque Sensor

OPTIONS

A1 : Unipolar Tension
A2 : Bipolar Tension
ET1 : CTR -20 to 100° C [-4 to 212° F] OTR=CTR
ET3 : CTR -40 to 150° C [-40 to 302° F] OTR=CTR (Note : ET3 not available with A1 and A2 options)
PE : Cable Gland Termination with 2 m [6.6 ft] cable

ORDERING INFO

CS1210 - A1 - 10KNm - /ET1/PE



NORTH AMERICA

Measurement Specialties Inc.
1000 Lucas Way
Hampton, VA 23666
USA
Tel: 1-757-766-1500
Fax: 1-757-766-4297
Sales: pvg.cs.amer@meas-spec.com

EUROPE

Measurement Specialties
(Europe), Ltd.
26 Rue des Dames
78340 Les Clayes-Sous-Bois,
France
Tel: +33 (0) 130 79 33 00
Fax: +33 (0) 134 81 03 59
Sales: pfg.cs.emea@meas-spec.com

ASIA

北京赛斯维测控技术有限公司
北京市朝阳区望京西路48号
金隅国际C1002
电话: +86 010 8477 5646
传真: +86 010 5894 9029
邮箱: sales@sensorway.cn
<http://www.sensorway.cn>

The information in this sheet has been carefully reviewed and is believed to be accurate; however, no responsibility is assumed for inaccuracies. Furthermore, this information does not convey to the purchaser of such devices any license under the patent rights to the manufacturer. Measurement Specialties, Inc. reserves the right to make changes without further notice to any product herein. Measurement Specialties, Inc. makes no warranty, representation or guarantee regarding the suitability of its product for any particular purpose, nor does Measurement Specialties, Inc. assume any liability arising out of the application or use of any product or circuit and specifically disclaims any and all liability, including without limitation consequential or incidental damages. Typical parameters can and do vary in different applications. All operating parameters must be validated for each customer application by customer's technical experts. Measurement Specialties, Inc. does not convey any license under its patent rights nor the rights of others.